

DIAPHRAGM RELIEF VALVES



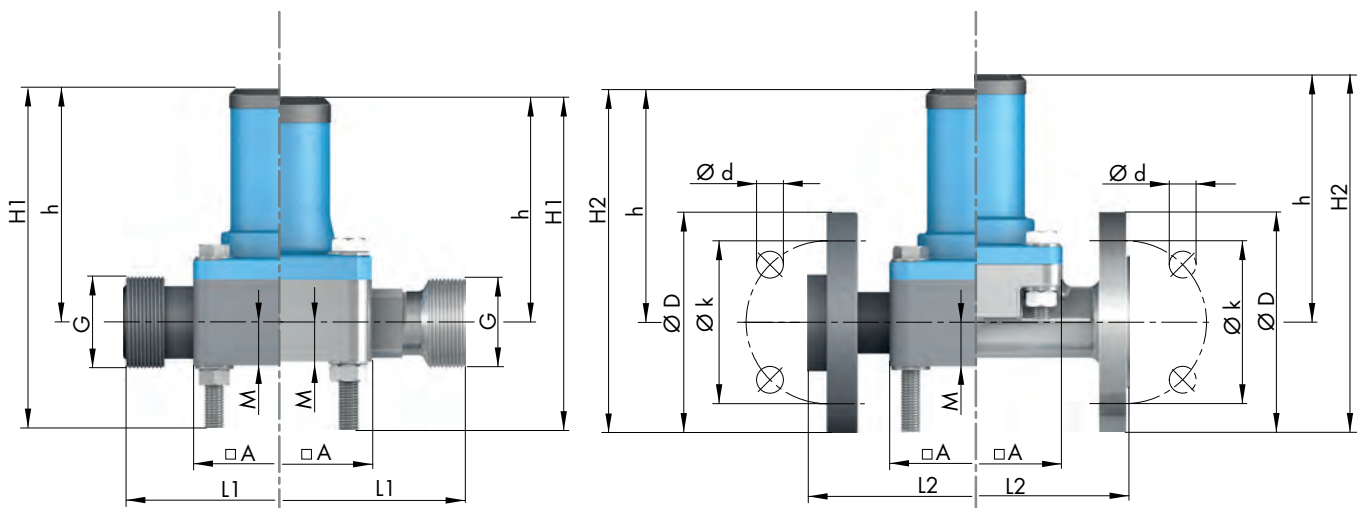
OVERVIEW

- Compact design
- Easy to mount
- Maintenance free
- Reliable
- Overpressure protection of dosing pumps
- High quality materials
- Low weight

TECHNICAL DATA

		620.10	622.10	623.10	624.10	625.10	626.10	627.10
Inlet/outlet nominal width	DN	8	15	20	25	32	40	50
Permissible operating pressure	bar	10	10	10	10	10	10	10
Set pressure p_e	bar	2,5...10	2,5...10	1,5...10	1,5...10	1,5...10	1,5...10	1,5...10
Max. flow rate	l/h	200	500	1000	2000	4000	7000	10000

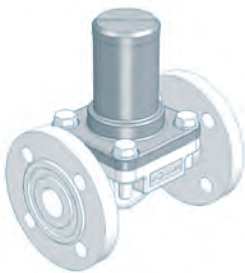
DIMENSIONS



		620.10	622.10	623.10	624.10	625.10	626.10	627.10
G	PVC-U, PP (-FRP), PVDF (-FRP)	G¾	G1	G1¼	G1½	G2	G2¼	G2½
	1.4581	G¾	G1	–	–	–	–	–
A	PVC-U, PP (-FRP), PVDF (-FRP), 1.4581	50	72	80	90	100	115	140
M	PVC-U, PP (-FRP), PVDF (-FRP)	13	15	28	22,5	24	30	38
	1.4581	13	16	–	–	–	–	–
L1	PVC-U, PP (-FRP), PVDF (-FRP)	80	115	130	160	180	235	260
	1.4581	110	145	–	–	–	–	–
L2	PVC-U, PP (-FRP), PVDF (-FRP)	110	145	160	175	200	235	260
	1.4581	–	–	150	160	180	200	230
h	PVC-U, PP (-FRP), PVDF (-FRP)	80	90	116	123	157	180	185
	1.4581	80	88	125	130	165	180	185
H1	PVC-U, PP (-FRP), PVDF (-FRP)	113	130	169	166,5	206	249	254
	1.4581	108	129	–	–	–	–	–
H2	PVC-U, PP (-FRP), PVDF (-FRP)	125	137,5	168,5	180,5	227	255	267,5
	1.4581	–	–	177,5	187,5	235	255	267,5
k	PVC-U, PP (-FRP), PVDF (-FRP), 1.4581	60	65	75	85	100	110	125
d	PVC-U, PP (-FRP), PVDF (-FRP), 1.4581	14	14	14	14	18	18	18
D	PVC-U, PP (-FRP), PVDF (-FRP), 1.4581	90	95	105	115	140	150	165

(Dimensions in mm)

BASIC DESIGNS



Diaphragm relief valve (with fixed flanges)

for overpressure protection

Properties

- Compact design
- Easy installation
- Maintenance-free
- High-quality materials

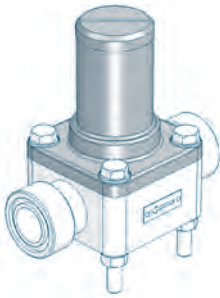
Basic design

- Flanges acc. to **DIN 2501**
- Valve body: **1.4581** or **GG**
- Diaphragm: **PTFE-faced**

Type	Nominal size	Connection	Valve body	Article-No.	Price (EUR)
623.10	DN20	DIN 2501	GG	37600038	▲
624.10	DN25	DIN 2501	GG	37600039	▲
625.10	DN32	DIN 2501	GG	Ⓢ	Ⓢ
626.10	DN40	DIN 2501	GG	Ⓢ	Ⓢ
627.10	DN50	DIN 2501	GG	Ⓢ	Ⓢ
623.10	DN20	DIN 2501	1.4581	36230104	▲
624.10	DN25	DIN 2501	1.4581	36240104	▲
625.10	DN32	DIN 2501	1.4581	Ⓢ	Ⓢ
626.10	DN40	DIN 2501	1.4581	Ⓢ	Ⓢ
627.10	DN50	DIN 2501	1.4581	Ⓢ	Ⓢ

DIAPHRAGM RELIEF VALVES

BASIC DESIGNS



Type	Nominal size	Connection	Valve body	Seals	Article-No.	Price (EUR)
620.10	DN8	G 3/4	PVC-U	FPM	37603632	▲
620.10	DN8	G 3/4	PVC-U	EPDM	36200101	▲
620.10	DN8	G 3/4	PP	FPM	37603630	▲
620.10	DN8	G 3/4	PP	EPDM	37603629	▲
620.10	DN8	G 3/4	PVDF	FEP	37601792	▲
620.10	DN8	G 3/4	1.4581	FEP	37600670	▲
622.10	DN15	G 1	PVC-U	FPM	37604006	▲
622.10	DN15	G 1	PVC-U	EPDM	37603635	▲
622.10	DN15	G 1	PP	FPM	Ⓞ	Ⓞ
622.10	DN15	G 1	PP	EPDM	Ⓞ	Ⓞ
622.10	DN15	G 1	PP-GFK	FPM	37603634	▲
622.10	DN15	G 1	PP-GFK	EPDM	37600450	▲
622.10	DN15	G 1	PVDF	FEP	37600717	▲
622.10	DN15	G 1	PVDF-GFK	FEP	37601819	▲
622.10	DN15	G 1	1.4581	FEP	37600695	▲
623.10	DN20	G 1 1/4	PVC-U	FPM	37600009	▲
623.10	DN20	G 1 1/4	PVC-U	EPDM	36230101	▲
623.10	DN20	G 1 1/4	PP	FPM	37600016	▲
623.10	DN20	G 1 1/4	PP	EPDM	36230105	▲
623.10	DN20	G 1 1/4	PVDF	FEP	37606304	▲
624.10	DN25	G 1 1/2	PVC-U	FPM	37603639	▲
624.10	DN25	G 1 1/2	PVC-U	EPDM	37603638	▲
624.10	DN25	G 1 1/2	PP	FPM	37603637	▲
624.10	DN25	G 1 1/2	PP	EPDM	37603636	▲
624.10	DN25	G 1 1/2	PVDF	FEP	37603866	▲
625.10	DN32	G 2	PVC-U	Ⓞ	Ⓞ	Ⓞ
625.10	DN32	G 2	PP	Ⓞ	Ⓞ	Ⓞ
625.10	DN32	G 2	PVDF	Ⓞ	Ⓞ	Ⓞ
626.10	DN40	G 2 1/4	PVC-U	Ⓞ	Ⓞ	Ⓞ
626.10	DN40	G 2 1/4	PP	Ⓞ	Ⓞ	Ⓞ
626.10	DN40	G 2 1/4	PVDF	Ⓞ	Ⓞ	Ⓞ
627.10	DN50	G 2 3/4	PVC-U	Ⓞ	Ⓞ	Ⓞ
627.10	DN50	G 2 3/4	PP	Ⓞ	Ⓞ	Ⓞ
627.10	DN50	G 2 3/4	PVDF	Ⓞ	Ⓞ	Ⓞ

OPTIONS



Type	Design	Loose flange	Surcharge [EUR]
620.10	PVC	Loose flange made of PVC-U	Ⓞ
620.10	PP-FRP/PVDF-FRP	Loose flange made of PP with steel inlay	×
620.10	PP	Loose flange made of PP with steel inlay	▲
620.10	PVDF	Loose flange made of PP with steel inlay	▲
Type	Design	Loose flange	Surcharge [EUR]
622.10	PVC	Loose flange made of PVC-U	▲
622.10	PP-FRP/PVDF-FRP	Loose flange made of PP with steel inlay	Ⓞ
622.10	PP	Loose flange made of PP with steel inlay	▲
622.10	PVDF	Loose flange made of PP with steel inlay	▲
Type	Design	Loose flange	Surcharge [EUR]
623.10	PVC	Loose flange made of PVC-U	▲
623.10	PP-FRP/PVDF-FRP	Loose flange made of PP with steel inlay	×
623.10	PP	Loose flange made of PP with steel inlay	▲
623.10	PVDF	Loose flange made of PP with steel inlay	▲
Type	Design	Loose flange	Surcharge [EUR]
624.10	PVC	Loose flange made of PVC-U	▲
624.10	PP-FRP/PVDF-FRP	Loose flange made of PP with steel inlay	×
624.10	PP	Loose flange made of PP with steel inlay	▲
624.10	PVDF	Loose flange made of PP with steel inlay	▲
Type	Design	Loose flange	Surcharge [EUR]
625.10	PVC	Loose flange made of PVC-U	Ⓞ
625.10	PP-FRP/PVDF-FRP	Loose flange made of PP with steel inlay	×
625.10	PP	Loose flange made of PP with steel inlay	Ⓞ
625.10	PVDF	Loose flange made of PP with steel inlay	Ⓞ
Type	Design	Loose flange	Surcharge [EUR]
626.10	PVC	Loose flange made of PVC-U	Ⓞ
626.10	PP-FRP/PVDF-FRP	Loose flange made of PP with steel inlay	×
626.10	PP	Loose flange made of PP with steel inlay	Ⓞ
626.10	PVDF	Loose flange made of PP with steel inlay	Ⓞ
Type	Design	Loose flange	Surcharge [EUR]
627.10	PVC	Loose flange made of PVC-U	Ⓞ
627.10	PP-FRP/PVDF-FRP	Loose flange made of PP with steel inlay	×
627.10	PP	Loose flange made of PP with steel inlay	Ⓞ
627.10	PVDF	Loose flange made of PP with steel inlay	Ⓞ